



Smart solutions.
Strong relationships.

SINGLE PHASE ALUMINIUM BODY MOTORS

eLiTE SERIES



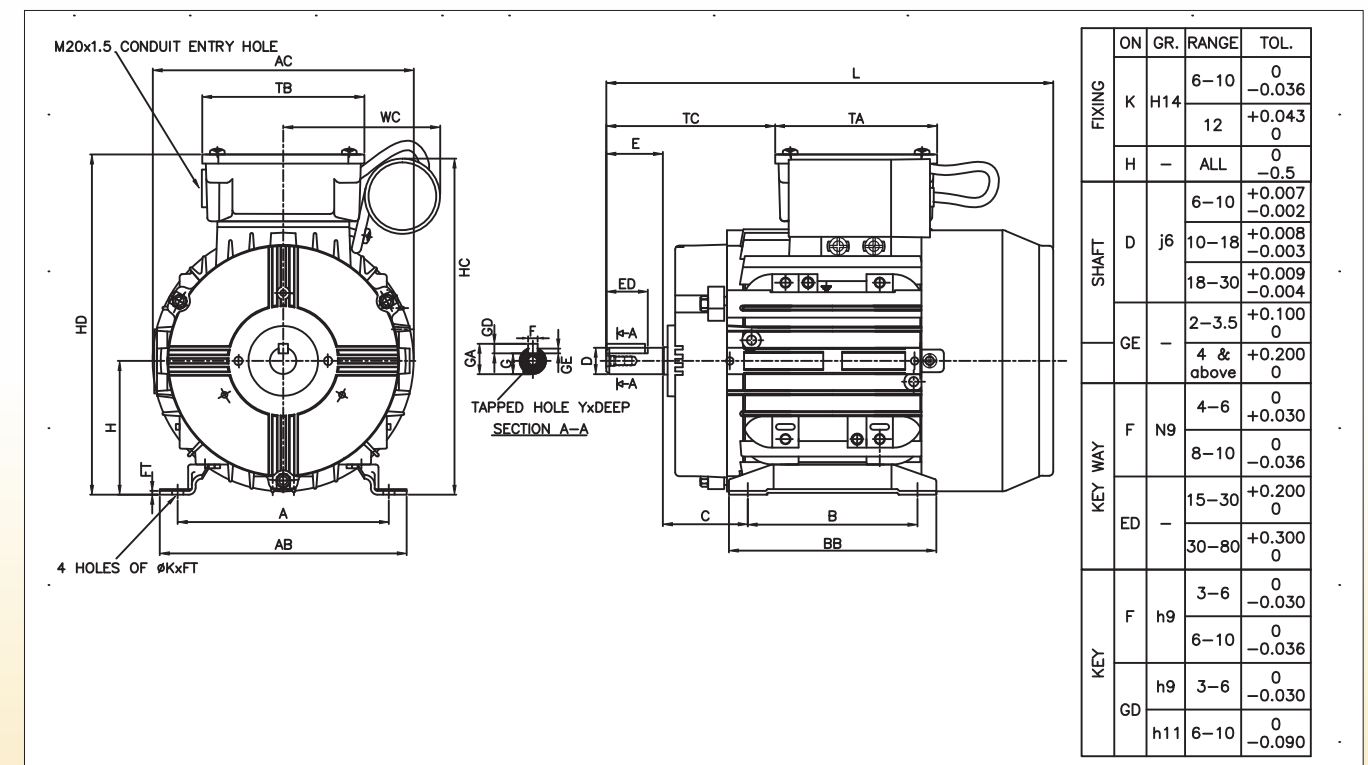
FEATURES:

- Light & Compact
- Efficient cooling, Low Temperature Rise
- Flexible Mounting-Indexible Terminal Box
- B5 and B14 Mountings on Request
- Low Noise & Vibration levels
- Double Sealed Ball Bearings
- IP55 Enclosure on Request
- Performance as per IEC60034-1
- Dimensions as per IEC60072-1
- Enamelled Copper Wire Designs



SINGLE PHASE ALUMINIUM BODY MOTORS

eLiTE SERIES



FRAME SIZE	FOOT FIXING								SHAFT & KEY								OVERALL (MAX)								
	A	B	C	H	AB	BB	K	FT	D	E	ED	F	G	GA	GD	GE	YxDEEP	L	HD	HC	AC	WC	TA	TB	TC
63	100	80	40	63	118	100	7	2	11	23	18	4	8.5	12.5	4	2.5	M4x10	208	159	145	122	90	86	86	62
71	112	90	45	71	131	110	7	2	14	30	25	5	11	16	5	3	M5x12.5	238	182	178	138.5	90	86	86	95
80	125	100	50	80	157	127	10	4	19	40	27	6	15.5	21.5	6	3.5	M6x16	278	202	200	156	90	86	86	130
90S	140	100	56	90	178	150	10	4	24	50	36	8	20	27	7	4	M8x19	325	222	220	174	90	86	86	148

AVAILABLE RANGE 0.25 HP TO 1HP, 2 & 4 POLE



BLOWER



EXHAUST FAN



AIR CURTAIN



COUPLED PUMP

AND MANY MORE...

For more information:
Visit us at: www.cgglobal.com